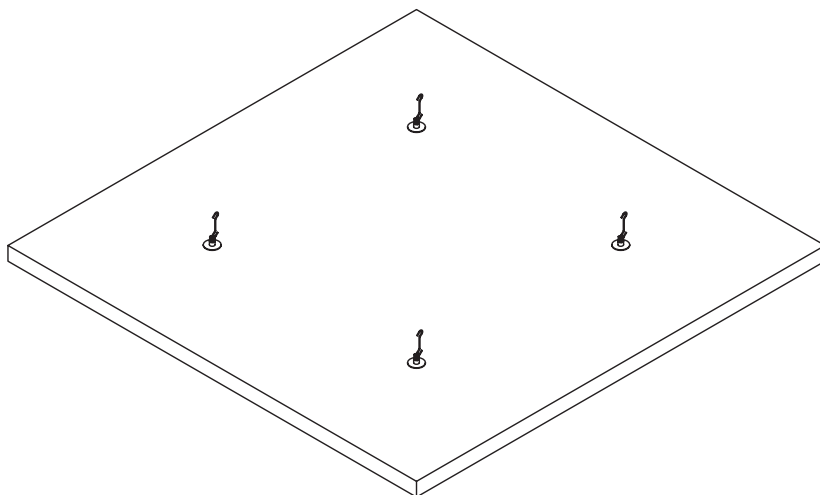


EASYceiling Cloud

Installation manual



General

The EASYceiling Cloud consists of an acoustic membrane of glass wool that is coated on the visible sides. The membrane has European fire class A1 (non-combustible). The application of the ceiling elements is the absorption of sound reflections to reduce reverberation in interior spaces and thus improve the acoustics. The elements are suspended from the ceiling with a fixed or adjustable distance.

Points of attention

- Do not attach any additional weight to the panels, the suspension is designed to carry the element alone;
- The panels are intended for use in dry indoor environments;
- Avoid locations subject to strong wind gusts, as the elements may come loose;
- Always use plugs that match the substrate (e.g. plaster plugs for a plaster ceiling).



Need help?

Contact us!

+31 30 227 08 00

info@easy-noisecontrol.nl

Necessities



Components

Glass wool anchor

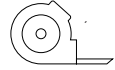
Hanger
D-ring

OR

Connector with thread
Steel cable

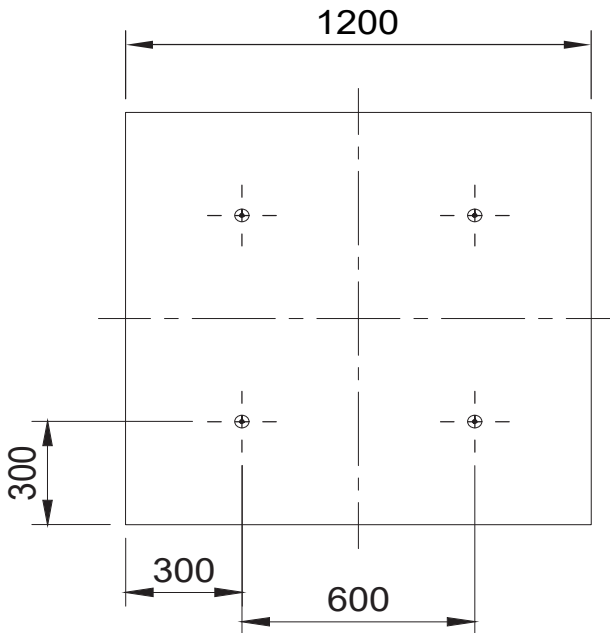
Ceiling mounting

Method



01

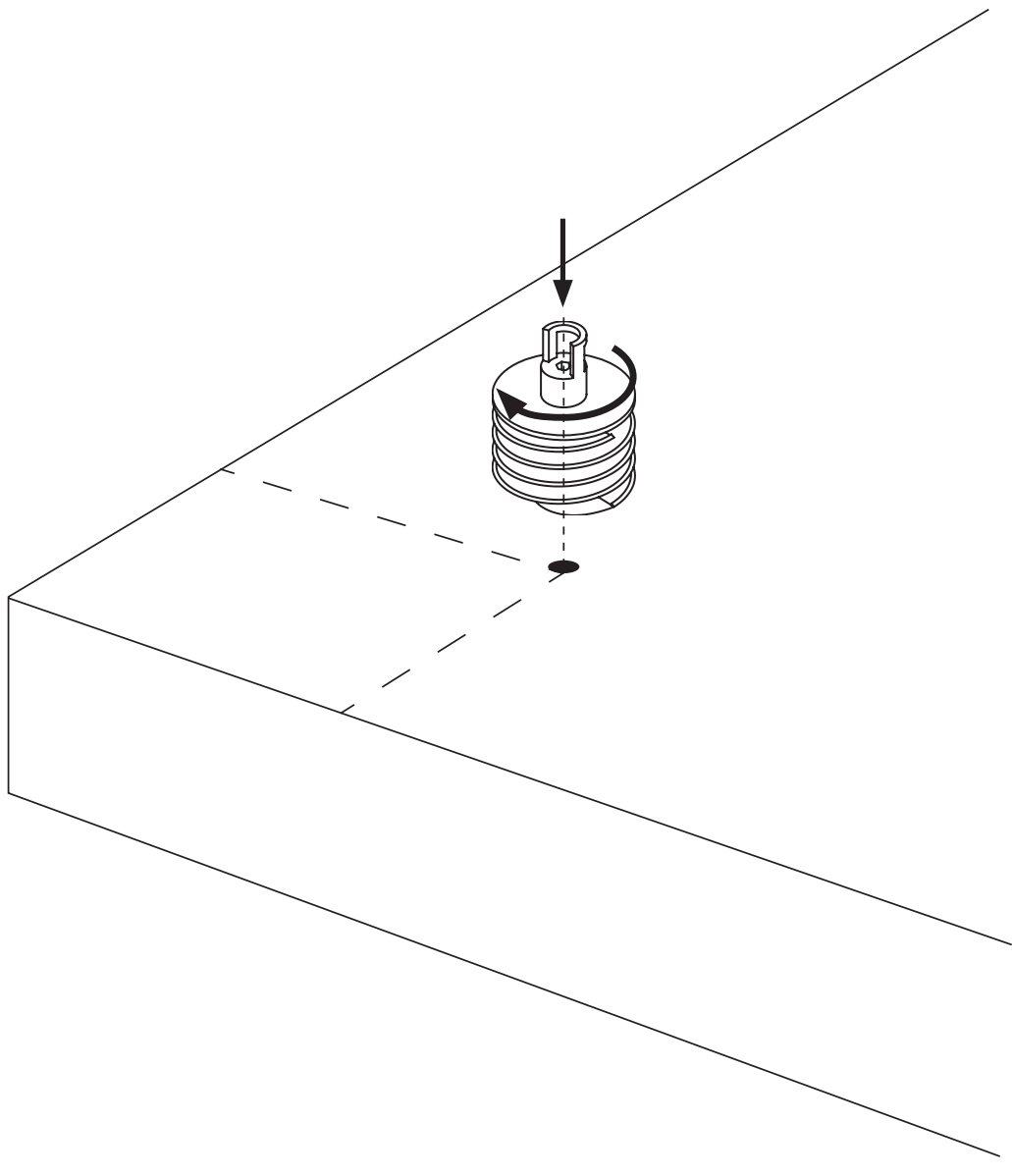
Draw four points on the panel 30 cm from the corners. Determine where the ceiling elements will hang. Also mark the fixing points on the ceiling.

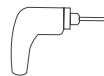


Tip: Use a cross line laser for marking and aligning the ceiling elements.

02

Screw the glass wool anchors into the panel at the marked spots.





03

Drill holes in the ceiling at the marked spots. Place the plugs and screw in the D-rings. **OR** Screw on the upper part of the ceiling mounting.

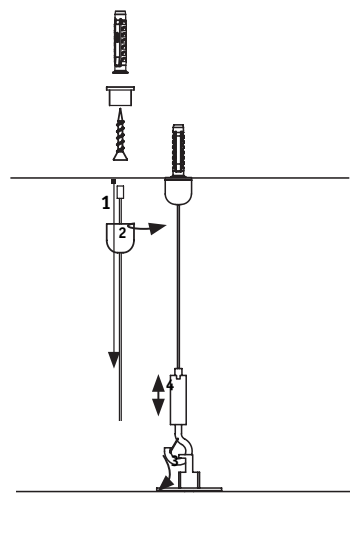
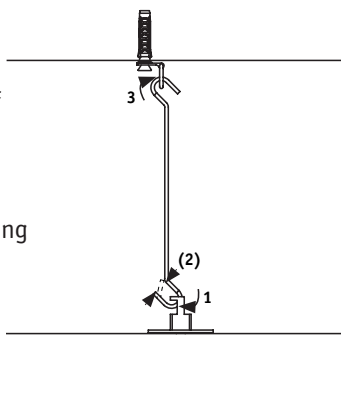


04

Attach the ceiling element to the ceiling using the hangers. **OR** Click the hooks of the adjustable cable hangers into the holes of the anchors and adjust to the desired suspension height.

Tip: Squeeze the bottom of the hangers with a pair of pliers.

Tip: Use a spirit level to hang the ceiling element level.



#weareacoustics

This text has been compiled with the utmost care. The same applies to the test results and further certificates. However, no rights may be derived from this text and modifications are subject to change. It is not possible to guarantee certain properties or the suitability of our products for a specific application. Please refer to our additional conditions or contact us.